



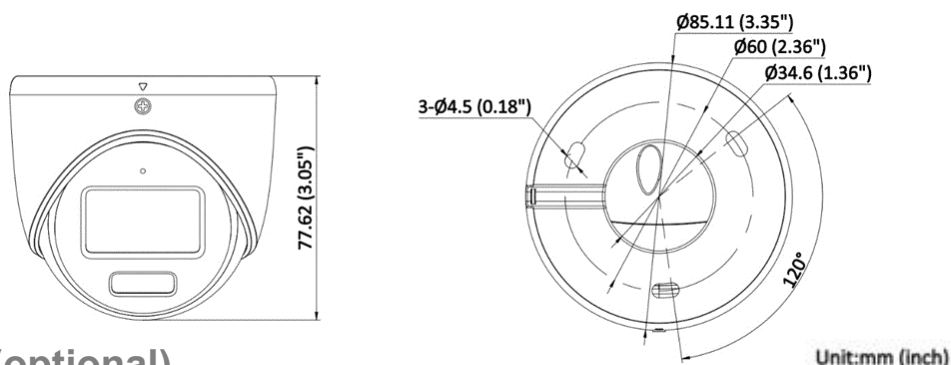
## AC-CFT2-QM/W2R2

Key features: 2MP colorvu fixed lens turret analog camera, 4 output signals switchable, 1 built-in microphone, 20m infrared light and 20m white light supplement

Camera	
Model	AC-CFT2-QM/W2R2
Product Name	2MP Outdoor Smart Hybrid light ColorVu Fixed Lens Turret Analog Camera
Image Sensor	2MP CMOS
Resolution	1920(H) × 1080(V)
Min. Illumination	0.001 Lux @ (F1.0, AGC ON), 0 Lux with white light
Shutter Time	PAL: 1/25 s to 1/50,000 s; NTSC: 1/30 s to 1/50,000 s
Day &Night	IR Cut Filter
Angle Adjustment	Pan: 0°to 360°, Tilt: 0°to 75°, Rotation: 0°to 360°
Signal System	PAL/NTSC
Lens	
Lens Type	Fixed focal lens, 2.8 mm, 3.6 mm available
Field of View	2.8 mm, horizontal FOV: 105°, vertical FOV: 56°, diagonal FOV: 126° 3.6 mm, horizontal FOV: 84°, vertical FOV: 46°, diagonal FOV: 98°
Lens Mount	M12
Night Vision	
Supplement Light Type	IR light and white light
Supplement Light Range	Up to 66ft (20 meters)
Smart Supplement Light	Yes
Image	
Image Mode	STD/HIGH-SAT/HIGHLIGHT
Image Setting	Brightness, Sharpness, Anti-banding, AGC
Frame Rate	TVI: 1080p @ 30fps/25fps AHD: 1080p @ 30fps/25fps CVI: 1080p @ 30fps/25fps CVBS: PAL/NTSC
Day/Night Mode	Auto/Color/BW (Black and White)
WDR (Wide Dynamic Range)	Digital WDR
Noise Reduction	3D DNR/2D DNR
AGC	Yes

Image Enhancement	DWDR, BLC, HLC, Global
White Balance	Auto, Manual
<b>Interface</b>	
Video Output	Switchable TVI/AHD/CVI/CVBS
Microphone	1 built-in microphone
Speaker	N/A
Audio In/Out	N/A
Alarm In/Out	N/A
<b>General</b>	
Operating Conditions	-40°C to 60°C (-40°F to 140°F), Humidity: 90% or less (non-condensing)
Power Supply	12 VDC ± 25% *** You are recommended to use one power adapter to supply the power for one camera.
Consumption	Max.2.9 W
Protection Level	IP67
Material	Metal
Dimension	Ø 85.11 mm × 77.62 mm (Ø 3.35" × 3.05")
Weight	Approx. 320 g (0.71 lb.)
Language	English

## Dimension



## Accessories (optional)

Junction box	Wall mount	Vertical pole mount	Corner mount
DS-1280ZJ-XS	DS-1272ZJ-110-TRS	DS-1272ZJ-110-TRS+ DS-1275ZJ-SUS	DS-1272ZJ-110-TRS+ DS-1276ZJ-SUS
