



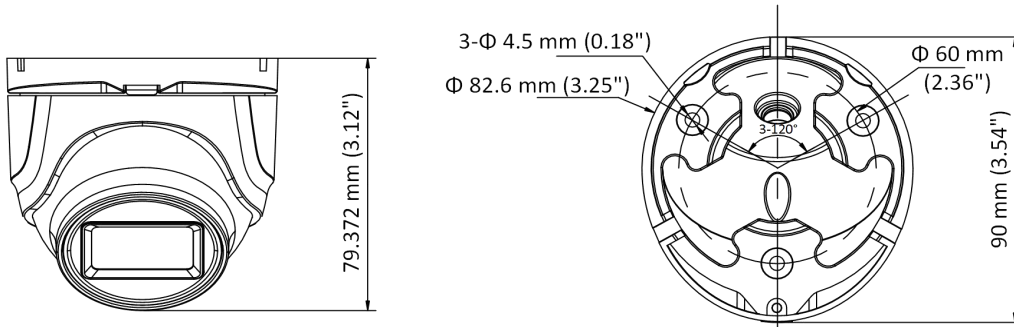
AC-FT2-Q/IR2

Key features: 2MP fixed lens turret analog camera, 4 output signals switchable, 20m infrared light supplement

Camera	
Model	AC-FT2-Q/IR2
Product Name	2MP Outdoor IR Fixed Lens Turret Analog Camera
Image Sensor	2MP CMOS
Resolution	1920(H) × 1080(V)
Min. Illumination	0.02 Lux @ (F1.2, AGC ON), 0 Lux with IR
Shutter Time	PAL: 1/25 s to 1/50,000 s; NTSC: 1/30 s to 1/50,000 s;
Day & Night	IR Cut Filter
Angle Adjustment	Pan: 0° to 360°, Tilt: 0° to 75°, Rotation: 0° to 360°
Signal System	PAL/NTSC
Lens	
Lens Type	Fixed focal lens, 2.8 mm, 3.6 mm available
Field of View	2.8 mm, horizontal FOV: 96.5°, vertical FOV: 48.9°, diagonal FOV: 120.5° 3.6 mm, horizontal FOV: 76.9°, vertical FOV: 40.6°, diagonal FOV: 92.0°
Lens Mount	M12
Night Vision	
Supplement Light Type	IR light
Supplement Light Range	Up to 66ft (20 meters)
Image	
Image Mode	STD/HIGH-SAT
Image Setting	Brightness, Mirror, Smart IR, Sharpness
Frame Rate	TVI: 1080p @ 25fps/30fps AHD: 1080p @ 25fps/30fps CVI: 1080p @ 25fps/30fps CVBS: PAL/NTSC
Day/Night Mode	Auto/Color/BW (Black and White)
WDR (Wide Dynamic Range)	Digital WDR
Noise Reduction	2D DNR
AGC	Yes
Image Enhancement	DWDR, BLC, Global
White Balance	Auto

Interface	
Video Output	Switchable TVI/AHD/CVI/CVBS
Microphone	N/A
Speaker	N/A
Audio In/Out	N/A
Alarm In/Out	N/A
General	
Operating Conditions	-40°C to 60°C (-40°F to 140°F), Humidity: 90% or less (non-condensing)
Power Supply	12 VDC ± 25%
Consumption	Max. 3.3 W
Protection Level	IP67
Material	Metal
Dimension	Ø 82.6 mm × 79.37 mm (Ø 3.25" × 3.12")
Weight	Approx. 360 g (0.79 lb.)
Language	English

Dimension



Accessories (optional)

Junction Box	Wall Mount	Vertical Pole Mount	Corner Mount
DS-1280ZJ-XS	DS-1272ZJ-110-TRS	DS-1272ZJ-110-TRS+ DS-1275ZJ-SUS	DS-1272ZJ-110-TRS+ DS-1276ZJ-SUS
