



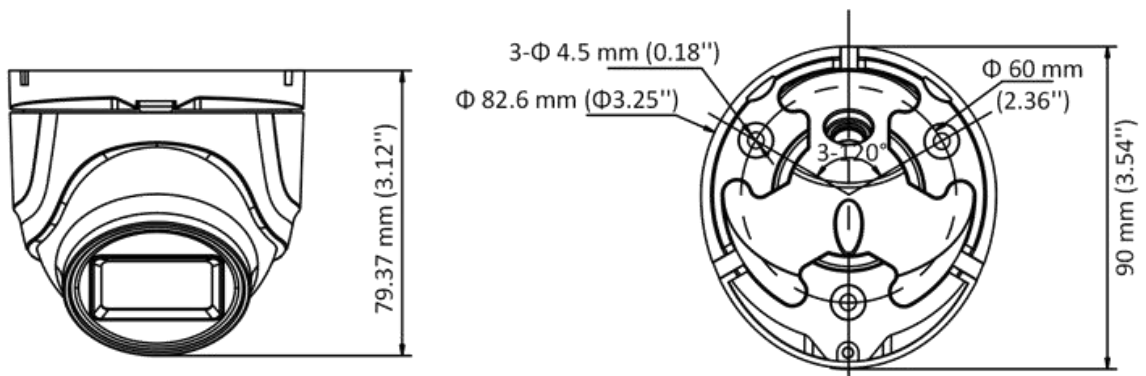
AC-FT5-Q/IR3

Key features: 5MP fixed lens turret analog camera, 4 output signals switchable, 30m infrared light supplement

Camera	
Model	AC-FT5-Q/IR3
Product Name	5MP Outdoor IR Fixed Lens Turret Analog Camera
Image Sensor	5 MP CMOS
Max. Resolution	2560 (H) × 1944 (V)
Min. Illumination	Color: 0.01 Lux @ (F2.0, AGC ON), 0 Lux with IR
Shutter Time	PAL: 1/25 s to 1/50,000 s; NTSC: 1/30 s to 1/50,000 s;
Day & Night	IR Cut Filter
Angle Adjustment	Pan: 0 to 360°, Tilt: 0 to 75°, Rotation 0 to 360°
Signal System	PAL/NTSC
Lens	
Lens Type	Fixed focal lens, 2.8 mm, 3.6 mm available
Focal Length & FOV	2.8 mm, horizontal FOV: 86°, vertical FOV: 63°, diagonal FOV: 120° 3.6 mm, horizontal FOV: 80°, vertical FOV: 63°, diagonal FOV: 112°
Lens Mount	M12
Night Vision	
Supplement Light Type	IR light
Supplement Light Range	Up to 98ft (30 meters)
Image	
Image Parameters Switch	STD/HIGH-SAT
Image Settings	Brightness, Sharpness, Mirror, Smart IR
Frame Rate	TVI: 5MP @ 20fps, 4MP @ 30fps/25fps, 1080p @ 30fps/25fps AHD: 5MP @ 20fps, 4MP @ 30fps/25fps CVI: 4MP @ 30fps/25fps CVBS: PAL/NTSC
Day/Night Mode	Auto/Color/BW (Black and White)
Wide Dynamic Range (WDR)	Digital WDR
Noise Reduction	2D DNR
AGC	Support
Image Enhancement	DWDR, BLC, HLC
White Balance	ATW/MANUAL

Interface	
Video Output	Switchable TVI/AHD/CVI/CVBS
Microphone	N/A
Speaker	N/A
Audio In/Out	N/A
Alarm In/Out	N/A
General	
Operating Condition	-40 °C to 60 °C (-40 °F to 140 °F), humidity: 90% or less (non-condensation)
Power Supply	12 VDC ±25%
Consumption	Max. 4.3 W
Protection	IP67
Material	Metal
Dimension	Ø 82.6 mm × 79.37 mm (Ø 3.25" × 3.12")
Weight	Approx. 289 g (0.64 lb.)
Language	English

Dimension



Accessories (optional)

Junction Box	Wall Mount	Vertical Pole Mount	Corner Mount
DS-1280ZJ-XS	DS-1272ZJ-110-TRS	DS-1272ZJ-110-TRS+ DS-1275ZJ-SUS	DS-1272ZJ-110-TRS+ DS-1276ZJ-SUS
