



NC-FW4-M2A/W3R3(S)

Key features: 4MP fixed lens wedge network camera, 2 built-in microphones, audio and alarm pigtail interfaces, 30m infrared light and 30m white light supplements

Camera	
Model	NC-FW4-M2A/W3R3(S)
Product Name	4MP Outdoor Smart Hybrid light Fixed Lens Wedge Network Camera
Image Sensor	1/2.9" Progressive Scan CMOS
Resolution	2688(H) × 1520(V)
Min. Illumination	Color: 0.005 Lux @ (F1.6, AGC ON), B/W: 0 Lux with light
Shutter Time	1/3 s to 1/100,000 s
Day &Night	IR Cut Filter
Angle Adjustment	Pan: -30°to 30°, Tilt: 0°to 75°, Rotation: 0°to 360°
Lens	
Lens Type	Fixed focal lens, 2.8 mm, 4.0 mm available
Field of View	2.8 mm, horizontal FOV 104°, vertical FOV 57°, diagonal FOV 122° 4.0 mm, horizontal FOV 84°, vertical FOV 45°, diagonal FOV 100°
Lens Mount	M12
Iris Type	Fixed
Aperture	F1.6
Depth of Field	2.8mm: 1.4m to ∞ 4.0mm: 1.5m to ∞
DORI	
DORI	2.8 mm: D: 63 m, O: 25 m, R: 12 m, I: 6 m 4.0 mm: D: 78 m, O: 31 m, R: 15 m, I: 7 m
Night Vision	
Supplement Light Type	IR light and white light
Supplement Light Range	Up to 98ft (30 meters)
IR Wavelength	850nm
Video	
Main Stream	50 Hz: 25 fps (2688 × 1520, 1920 × 1080, 1280 × 720) 60 Hz:

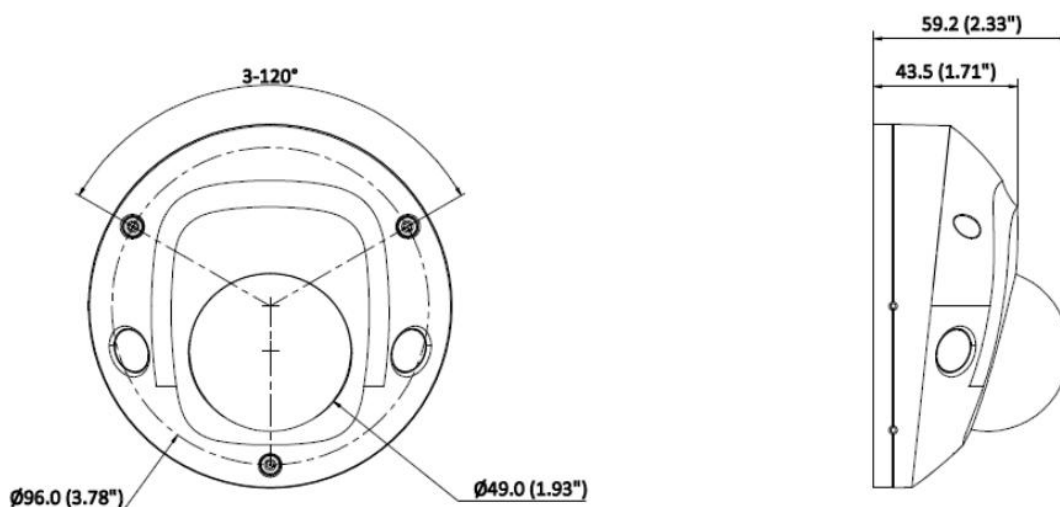
UNO-IOT Products Datasheet

	30 fps (2688 × 1520, 1920 × 1080, 1280 × 720)
Sub Stream	50 Hz: 25 fps (1280 × 720, 640 × 480, 640 × 360) 60 Hz: 24 fps (1280 × 720, 640 × 480, 640 × 360)
Third Stream	50 Hz: 10 fps (1920 × 1080, 1280 × 720, 640 × 480, 640 × 360) 60 Hz: 10 fps (1920 × 1080, 1280 × 720, 640 × 480, 640 × 360) * Third stream is supported under certain settings.
Video Compression	Main stream: H.265+/H.265/H.264+/H.264; Sub-stream: H.265/H.264/MJPEG Third stream: H.265/H.264, * Third stream is supported under certain settings.
Video Bit Rate	32 Kbps to 8 Mbps
H.264 Type	Baseline Profile, Main Profile, High Profile
H.265 Type	Main Profile
Bit Rate Control	CBR, VBR
Region of Interest (ROI)	1 fixed region for main stream
Target Cropping	Yes
Audio	
Audio Type	Mono sound
Environment Noise Filtering	Yes
Audio Sampling Rate	8 kHz/16 kHz
Audio Compression	G.711ulaw/G.711alaw/G.722.1/G.726/MP2L2/PCM/AAC-LC
Audio Bit Rate	64 Kbps (G.711 ulaw)/64 Kbps (G.711 alaw)/16 Kbps (G.722.1)/16 Kbps (G.726)/32 to 160 Kbps (MP2L2)/16 to 64 Kbps (AAC-LC)
Network	
Security	Password protection, complicated password, watermark, basic and digest authentication for HTTP, WSSE and digest authentication for Open Network Video Interface, security audit log, host authentication (MAC address)
Simultaneous Live View	Up to 6 channels
API	Open Network Video Interface (Profile S, Profile T, Profile G), ISAPI, SDK
Protocols	TCP/IP, ICMP, DHCP, DNS, HTTP, RTP, RTSP, NTP, IGMP, IPv6, UDP, QoS, FTP, SMTP
User/Host	Up to 32 users, 3 user levels: Administrator/Operator/User
Web Browser	Plug-in required live view: IE 10, IE 11, Local service: Chrome 57.0+, Firefox 52.0+
Image	
Wide Dynamic Range (WDR)	120 dB
SNR	≥ 52 dB
Day/Night Switch	Day, Night, Auto, Schedule
Image Enhancement	BLC, HLC, 3D DNR
Image Settings	Rotate mode, saturation, brightness, contrast, sharpness, gain, white balance, adjustable by client software or web browser
Privacy Mask	8 programmable polygon privacy masks
Interface	

UNO-IOT Products Datasheet

Ethernet Interface	1 RJ45 10 M/100 M self-adaptive Ethernet port
Factory Reset	Support
Expansion Slot	MicroSD/microSDHC/microSDXC card, up to 512 GB
Microphone	2 built-in microphones
Speaker	N/A
Audio In/Out	Pigtail interface, 1/1
Alarm In/Out	Pigtail interface, 1/1
Event	
Basic Event	Motion detection (support alarm triggering by specified target types (human and vehicle)), video tampering alarm, exception
Linkage	Upload to FTP/memory card, send email, notify surveillance center, trigger recording, trigger capture
Deep Learning Function	
Perimeter Protection	Line crossing, intrusion, support alarm triggering by specified target types (human and vehicle)
General	
Startup and Operating Conditions	-30 °C to 60 °C (-22 °F to 140 °F). Humidity 95% or less (non-condensing)
Storage Conditions	-30 °C to 60 °C (-22 °F to 140 °F). Humidity 95% or less (non-condensing)
Power Supply	PoE: IEEE 802.3af, Class 3, max. 7.5 W 12 VDC ± 25%, 0.5 A, max. 6 W, Ø 5.5 mm coaxial power plug, reverse polarity protection
Protection Level	IP67
Material	Base: metal, Cover: plastic
Dimension	Ø110 mm × 59.2 mm (Ø4.33" × 2.33")
Weight	Approx. 390 g (0.9 lb.)
Language	33 languages English, Russian, Estonian, Bulgarian, Hungarian, Greek, German, Italian, Czech, Slovak, French, Polish, Dutch, Portuguese, Spanish, Romanian, Danish, Swedish, Norwegian, Finnish, Croatian, Slovenian, Serbian, Turkish, Korean, Traditional Chinese, Thai, Vietnamese, Japanese, Latvian, Lithuanian, Portuguese (Brazil), Ukrainian

Dimension



Accessories (optional)

Wall mount	Wall mount	Vertical pole mount	Corner mount
DS-1272ZJ-120	DS-1272ZJ-120B	DS-1272ZJ-120+ DS-1275ZJ-SUS	DS-1272ZJ-120B+ DS-1276ZJ-SUS
